

# AHUJA<sup>®</sup>

*Very Impressive Performance...*

*...Very Affordable Prices*

## VIVA Series

### 2-Way Speaker System



**VS-200/VS-300**  
as Floor Monitors



**VS-200**  
200W RMS/10" Woofer

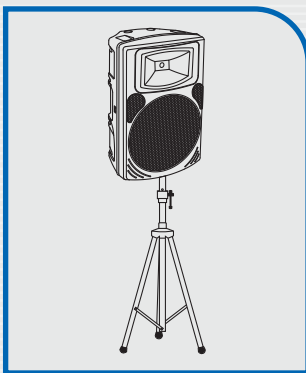


**VS-300**  
300W RMS/15" Woofer

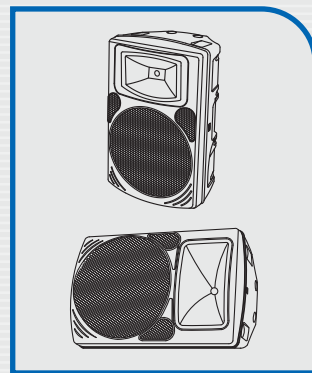
Ahuja: India's leading manufacturer & exporter of public address systems introduces VIVA series, a range of superior quality 2 way configuration speaker systems, housed in a sleek bass reflex Injection Moulded Polystyrene cabinet. The special design coupled with curves and rounded edges allows functional flexibility in varied professional audio applications such as stage monitors, live sound reinforcement and for permanent sound reinforcement installations where professional sound quality is desired.

Ahuja has drawn from its over 70 years of experience to design and create a range of world-class speakers which are:

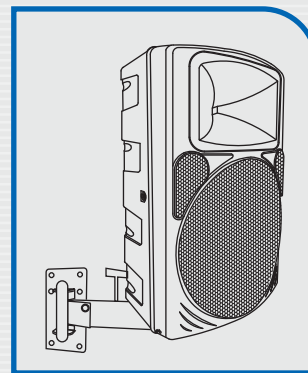
- Extremely light in weight and rugged.
- Capable of full-bandwidth sound reproduction through its highly efficient LF woofer & 1" Horn-Loaded HF Compression Driver.
- Attractively priced.
- Designed to offer flexibility in positioning/mounting hence are suitable for wide range of applications.
- Portable, owing to the strategically placed handles allowing effortless transportation.



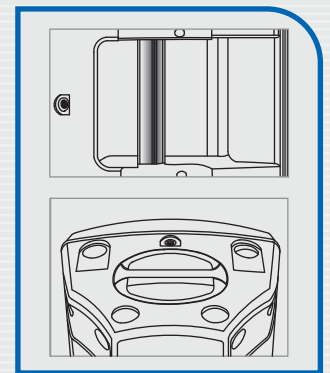
Stand Mounting



Floor Standing/Monitor



Wall Mounting



Convenient Handling

Ideal for: Residence & Community... House of Worship... Sports Facilities... Malls/Shopping Complex... Theaters & Auditorium... Hotel & Conference Halls... Hospital & Welfare Facilities... Educational Facilities... Office and Factories... Events/Exhibitions... Banquet Hall... Gym and Fitness Centers... Live Sound Reinforcement etc.

*Aesthetically designed plastic cabinet speaker : Blends with decor in any modern well furnished auditorium, gym, religious place or showroom.*



*Strong, polystyrene moulded cabinet : Rugged yet portable : Minimal chance of mechanical damage due to rough handling or transportation.*

*Best quality components ensure highest standard of reliability & intelligible sound for variety of applications.*



SPECIFICATIONS	VS-200	VS-300
INPUT POWER	200W RMS	300W RMS
CONFIGURATION	Two Way	Two Way
FREQUENCY RESPONSE	65-18,000Hz	55-18,000Hz
LOW FREQUENCY SPEAKER	1 x 10", Ø2.0" Edge Wound Voice Coil	1 x 15", Ø2.5" Edge Wound Voice Coil
HIGH FREQUENCY UNIT	Dynamic Horn, Ø1" Voice Coil	Dynamic Horn, Ø1.35" Voice Coil
SPL at (1W/1m)	94dB	97dB
MAX. RATED SPL	117dB	122dB
NOMINAL IMPEDANCE	8Ω	8Ω
CROSSOVER FREQUENCY	5kHz	5kHz
PORT	Free Flow Flared	Free Flow Flared
INPUT CONNECTORS	Speakon + Push Terminals	1/4" Phone Jack + Speakon
DIMENSIONS	W356 × H530 × D326 mm	W410 × H628 × D335 mm
WEIGHT	11.20kg	23.00kg

Design and Specifications are subject to change without notice owing to continuous product up-gradation. Technical specifications are subject to production tolerances. We cannot be held responsible for printing errors, should they occur. AHUJA is a registered trademark of Ahuja Radios in India and other countries. © Copyright Ahuja Radios, 2013. All rights reserved. Any unauthorized reproduction or use of logos, images or design elements is strictly prohibited by law. No part of this compilation may be reproduced in any manner or translated without written permission.

E. & O. E.

**AHUJA RADIOS**  
 215, Okhla Industrial Estate, New Delhi - 110 020, INDIA  
 Tel.: +91-11-26831549, 41612474 Fax: +91-11-26847287  
 E-mail: ahuja@ahujaradios.com, marketing@ahujaradios.com  
 Website: www.ahujaradios.com

