



Ahuja introduces a powerful and elegant Sound Projector SP-5251T made in a compact ABS housing. Provides wide bandwidth and controlled directivity sound. Easy power tap selection through an external rotary switch knob. Ideal for a variety of indoor and outdoor sound reinforcement applications.

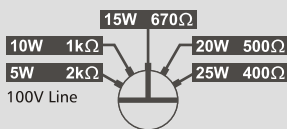
Features

- Clear and crisp sound for speech and music.
- Aesthetically designed plastic housing in white colour.
- 100V line operation with power taps of 25W, 20W, 15W, 10W and 5W.
- Easy to install through a 'U' type mounting bracket.
- Ideal for use in Factories, Hospitals, Hotels, Schools, Railway Platforms, Car Parkings, Theme Parks etc.

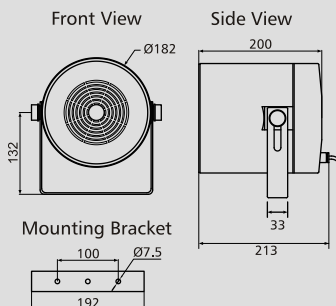
Specifications

Rated Power	25W RMS
Power Taps on 100V	25 / 20 / 15 / 10 / 5W
Speaker	1 × 4½" Full Range
Impedance	400 / 500 / 670 / 1k / 2kΩ
Frequency Response	120-15,000Hz
SPL (at 1W/1m)	93dB
Finish	ABS White Colour
Dimensions	Ø182 × H213 mm
Weight	2.10 kg approx.

Power Tap Selection



Dimensions



Design and Specifications are subject to change without notice. AHUJA is a registered trademark of Ahuja Radios in India and other countries. © Copyright Ahuja Radios, 2007. All rights reserved. Any unauthorized reproduction or use of logos, images or design elements is strictly prohibited by law. No part of the compilation may be reproduced in any manner or translated without written permission.