

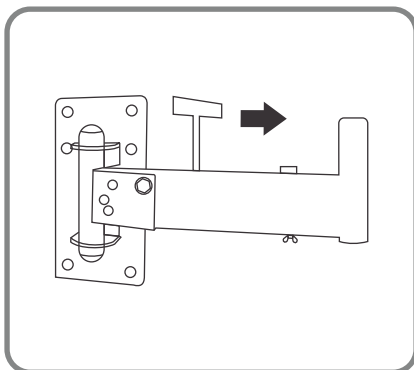
WS 10 Wall Mount Speaker Stand

The Studiomaster Professional WS 10 is a heavy duty metal wall mount speaker stand with safety rear brace for different speaker sizes & provisions for both horizontal & vertical adjustment.

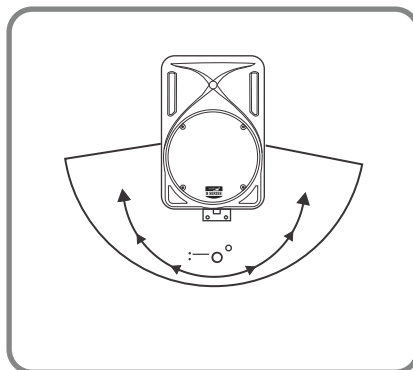


Features:

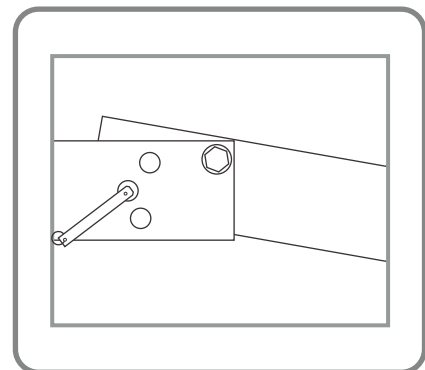
- High quality wall mount Speaker Brackets.
- Two vertical tilt angle selections.
- Steel locking pin for extra safety.
- Supplied with an additional pole mount adapter.
- Light weight and durable.
- Horizontal adjusting capability up to 160°.
- Adjustable back rest for different speakers sizes.
- Size(Height) : 34 CM • Load Capacity: 60kgs.



Adjustable back rest for different speakers sizes.



Horizontal Adjustment: Up To 160° (Approx)



Vertical Adjustment: Up To 10° Tilt

Technical Specifications:

Model	WS 10
Material	Metal
Weight	1.77 Kg
Height	34cm
Color	Black
Load Capacity	60 Kg